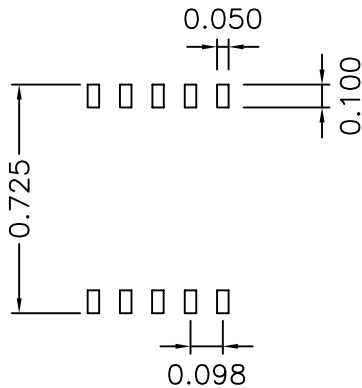
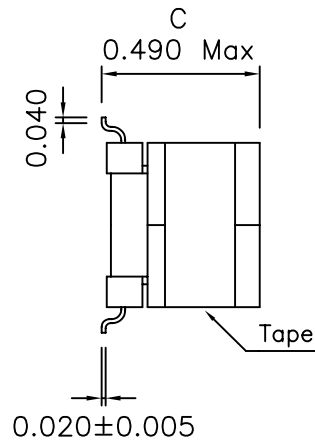
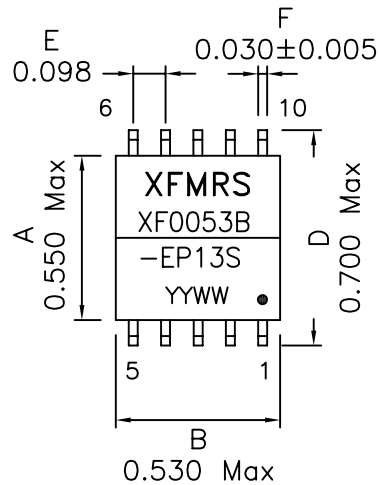


1. Mechanical Dimensions:



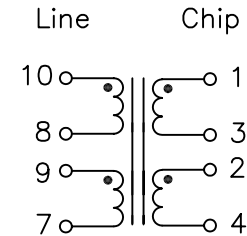
(Suggested PCB Layout)

Notes:

1. Solderability: Leads shall meet MIL-STD-202, Method 208D for solderability.
2. Flammability: UL94V-0
3. ASTM oxygen index: > 28%
4. Insulation System: Class F 155°C. UL file E151556
5. Operating Temperature Range: All listed parameters are to be within tolerance from -40°C to +85°C
6. Storage Temperature Range: -55°C to +125°C
7. Aqueous wash compatible

DOC REV: A/1

2. Schematic:



3. Electrical Specifications: @25°C

OCL: Pins 10-7 5.0mH±10% @10KHz 0.1V, Tie Pins 8+9

LL: Pins 10-7 13.0uH Max @100KHz 0.1V,
Short Chip, Tie Pins 8+9

CW/W: Pins 10-1 40.0pF Max @100KHz 0.1V,
Short Line, Short Chip

Total Harmonic Distortion: -80db Max @100KHz 2.5Vrms

DCR: Pins 1-3 1.40 Ohms ±15%

DCR: Pins 2-4 1.80 Ohms ±15%

DCR: Pins 9-7 1.60 Ohms ±15%

DCR: Pins 10-8 1.25 Ohms ±15%

TURNS RATIO: Pins (10-7):(1-4)=1:1±1%, Tie Pins 8+9, 3+2

HIPOT: 1875Vac, Line to Chip

XFMRS Inc UNLESS OTHERWISE SPECIFIED TOLERANCES: .xxx ±0.010 Dimensions in INCH SHEET 1 OF 1	Title: ADSL TRANSFORMER	
	P/N: XF0053B-EP13S	REV. A
	DWN. 李清儿	Jun-23-04
	CHK. 孙小松	Jun-23-04
APP. J Ng	Jun-23-04	